

EMWS-331B/332B/333B Wall Mount Speaker System



EMIX Box Speakers offer a combination of quality, performance and innovation in public address. It is designed for situation where both high quality speech and music reproduction typically is fix-installed in conference rooms, community centers, F&B outlets and multipurpose halls.

EMIX 2 way full range speakers deliver professional performance from a compact robust enclosure. They are developed to meet the increasing demands for high quality background music reproduction in indoor applications.

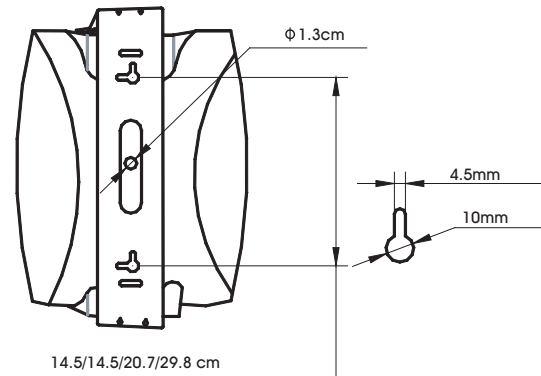
Features

- > Supplied with wall mounting bracket for horizontal and vertical adjustment.
- > Simple power setting with vari-tap switch for 8ohms and 100V line input.
- > Made of high quality engineering plastic, long term durability, never out of shape and colour never fade.
- > With high sensitivity speakers for long life, clear and sonorous sound.

Installation Diagram



Hanging Hole



Model	EMWS-331B	EMWS-332B	EMWS-333B
Driver Components	4.5" x 1"	5.5" x 1"	6.5" x 1"
Rated Power	20W	30W	40W
Tapping Wattage	20W/10W/5W/OFF/8Ω	30W/15W/8W/OFF/8Ω	40W/20W/10W/OFF/8Ω
Line Voltage / Rated Impedance	70-100V / 8Ω	70-100V / 8Ω	70-100V / 8Ω
Sensitivity (1m, 1W)	89dB	90dB	91dB
Freq. Response	80-20,000Hz	75-20,000Hz	70-20,000Hz
Color	Black	Black	Black
Dimensions	215 x 170 x 150mm	242 x 182 x 162mm	284 x 215 x 189mm
Weight	2.2kg	3kg	3.5kg

*Specifications and design are subjected to change without notice for improvements.